



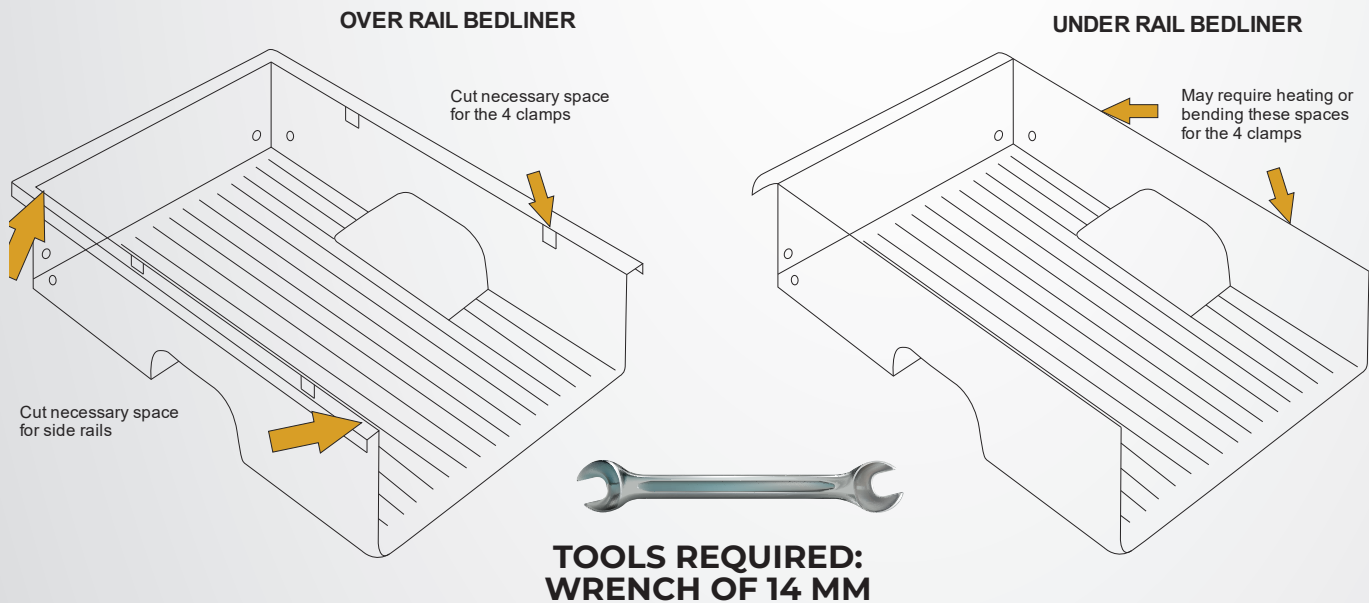
SPORT SOFT TONNEAU COVER

▷ OWNERS & INSTALLATION MANUAL ◁

Read Instructions - Failure to assemble cover properly will void warranty.

DROP-IN BEDLINER – IF NECESSARY – IF NOT, PLEASE CONTINUE

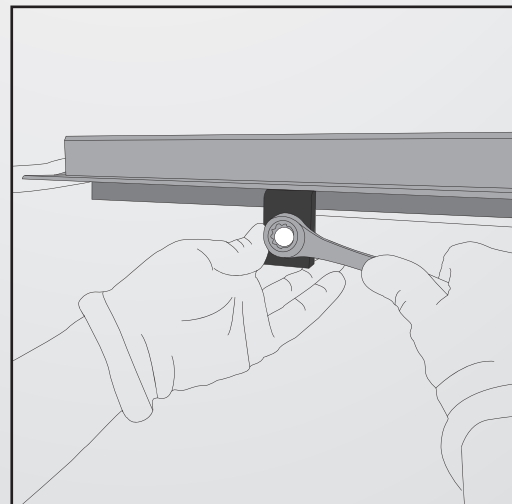
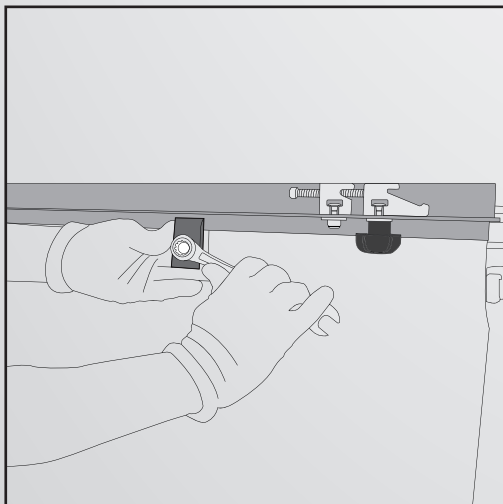
Your plastic bedliner may need to be cut if it interferes with the cover and location of the side rails and clamps. A jigsaw or mototool and a drill with a saw cup of 1-½" works well.



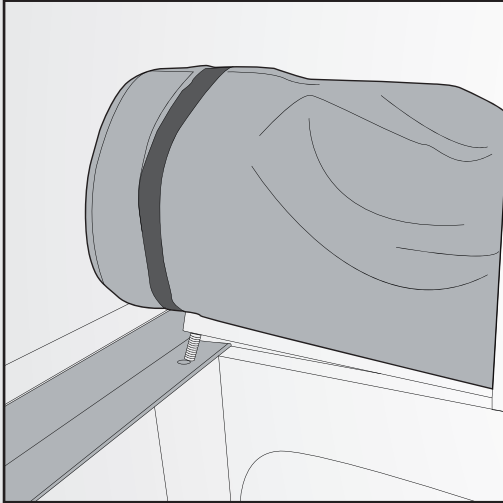
▷ INSTRUCTIONS: ◁



1. Place side rails on pickup bed rails. / Assemble clamps. / Place two or three clamps over side rails & pickup bed rails and install. / Tighten.



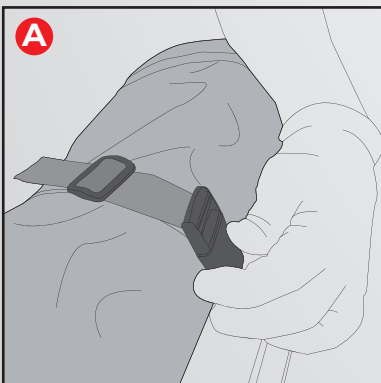
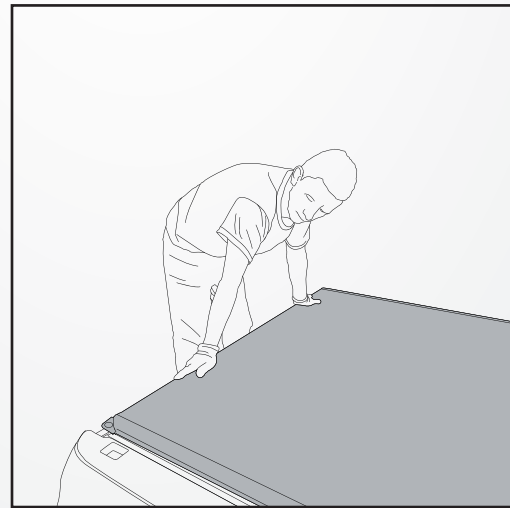
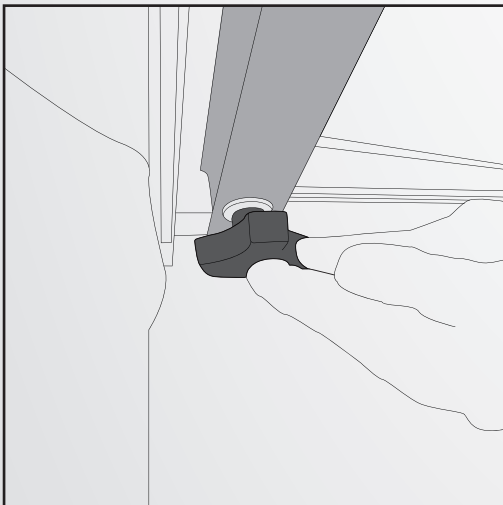
- 2.** Set cover assembly on front bulkhead and insert the screws into the holes of the side rails like the picture.



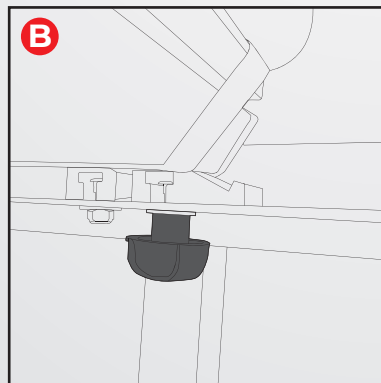
NOTE: Additional weather seal may be required for pickups with bed caps, tailgate protectors, or liners. Add weather seal if needed to seal appropriately.

- 4.** Close cover: Use both hands to close!!! space wide Both latches must be fully engaged!!!

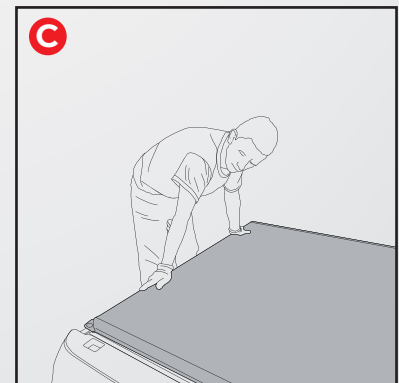
- 3.** Screw the knob with the washer underneath and tighten. Repeat the process on the other side.



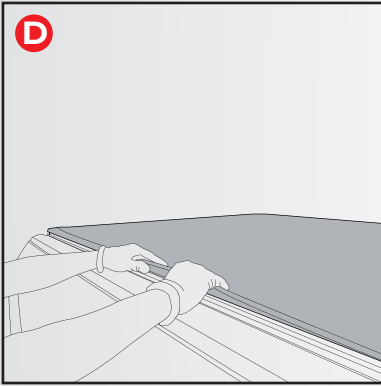
Release safety straps, and unroll cover over pickup bed. Open tailgate.



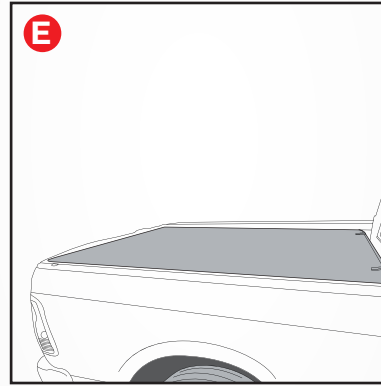
With tailgate open, hook tailgate header into header stops on both sides of vehicle.



Rotate tailgate header down until both latches engage. Listen for double click



Secure loop to hook fasteners on one side rail by pressing edge of cover along full length of rail.



Pull cover tight across width of pickup bed. Secure loop and hook fasteners on opposite side rail.

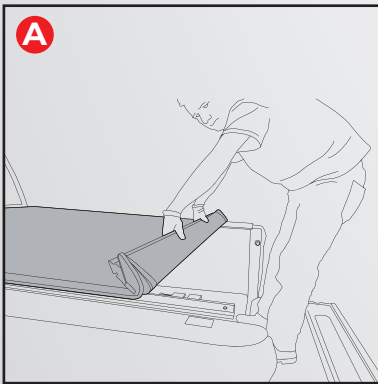


To prevent accidental release of tailgate header, ensure header is securely latched to side rails on both sides of pickup bed before driving vehicle.

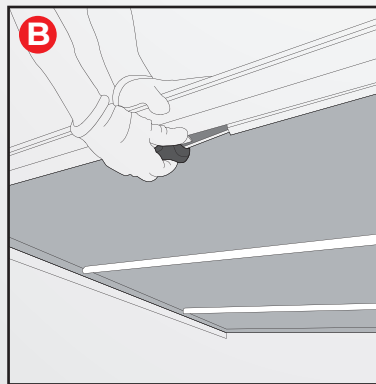
- To prevent wind lift, secure loop and hook fasteners along entire length of both side rails before driving vehicle.

5. Cover tension: Here is no need to adjust cover length tension. The Latch Assembly is set to the correct tension. If needed due to weather, please set the correct tension. Keeping cover: Periodically or as needed, pull cover tight across width of pickup bed, secure loop and hook on side rails. For ease of operation, periodically clean with high pressure water to remove dirt and dust. Cover may appear loose or relaxed in colder or cold conditions. Cover may appear tight in warmer or hot conditions.

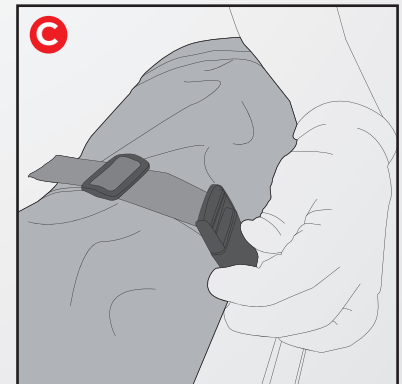
Open cover:



With tailgate open, press downward on cover and turn the knob underneath.



Roll up cover. **Do Not** disengage loop and hook fasteners prior to rolling up cover.



Always secure cover at front of pickup bed with both safety straps when cover is open.

MAINTENANCE

- The cover rails should be carefully cleaned. To do this, use only water and a neutral detergent that does not contain additives (such as alcohol, chlorine or ammonia) as these can stain or damage the surface of the canvas. Additionally, it is recommended to use leather cleaner to highlight the shine (not silicones).
- This product must be protected from weather exposure during long periods of storage.
 - Periodically inspect the tent to check for damage.

WARNING: READ BEFORE BEGINNING THE INSTALLATION PROCESS, OTHERWISE THE WARRANTY MAY BE VOID.

Before assembling the cover on the bed of the pickup, please carefully read the guidelines for installation and use of the product listed below. Assembly and installation of the cover is your sole responsibility. As a result, the manufacturer's warranty is limited exclusively to the repair or replacement of a defective cover. Damage to your vehicle, its contents, or to any person or property is excluded.

- All parts must be securely fastened, tightened and engaged before moving the vehicle. If you travel, periodically inspect screws and other parts to ensure they are secure.
- If the fastening parts show signs of wear, corrosion or fatigue, replace them before using the cover.
- The cover is water resistant but not waterproof. Protect its contents within the pickup bed with this in mind.

NOTE: Do not put valuable or fragile objects inside the pickup bed. Sudden stops can cause contents to shift and possibly damage valuable or fragile items.

The manufacturer or seller is not responsible for any damage or loss of personal items.

WARRANTY

Safari Accesorios SAS gives a one year WARRANTY for the Sport Brand Tonneau Covers. Warrants that all new, unused products are free from defects in material and workmanship. This One Year Limited Warranty is effective if the product is properly installed and used for the purpose intended. It applies to the original buyer only. SPORT Brand Tonneau Covers's obligation under this Warranty is limited to repairing, or at its option, replacing any part that is returned, transportation prepaid, to Safari Accesorios Company's headquarters, if the product is, in our judgment, defective. All materials must be accompanied by an RMA (Returned Material Authorization) number requested by and authorized in advance of returning the materials. Sport Brand Tonneau Covers shall not be liable or responsible to supply or pay labor to replace any part found defective, nor shall it be liable for any damages of any kind or nature to person, product, or property. There are no Warranties for used products or products that have been repaired, altered, modified, subjected to misuse, negligence, accident or ordinary wear and tear. Warranty registration must be on file and/or proof of original purchase (detailed and dated receipt) required for warranty to be valid.

SAFARI ACCESORIOS S.A.S. Parque Industrial La Badea. MZ 6, Bod 12. Dosquebradas, Risaralda. Colombia. Phone: (311) 488-6975.

www.safariaccesorios.com